

1: GLAZING MATERIAL

	INNER	OUTER
ACRYLIC DOME	<input type="checkbox"/>	<input type="checkbox"/>
POLYCARBONATE DOME	<input type="checkbox"/>	<input type="checkbox"/>

2: GLAZING COLOR

CLEAR	<input type="checkbox"/>	<input type="checkbox"/>
BRONZE	<input type="checkbox"/>	<input type="checkbox"/>
WHITE	<input type="checkbox"/>	<input type="checkbox"/>
OTHER	<input type="checkbox"/>	<input type="checkbox"/>

3: FRAME FINISH

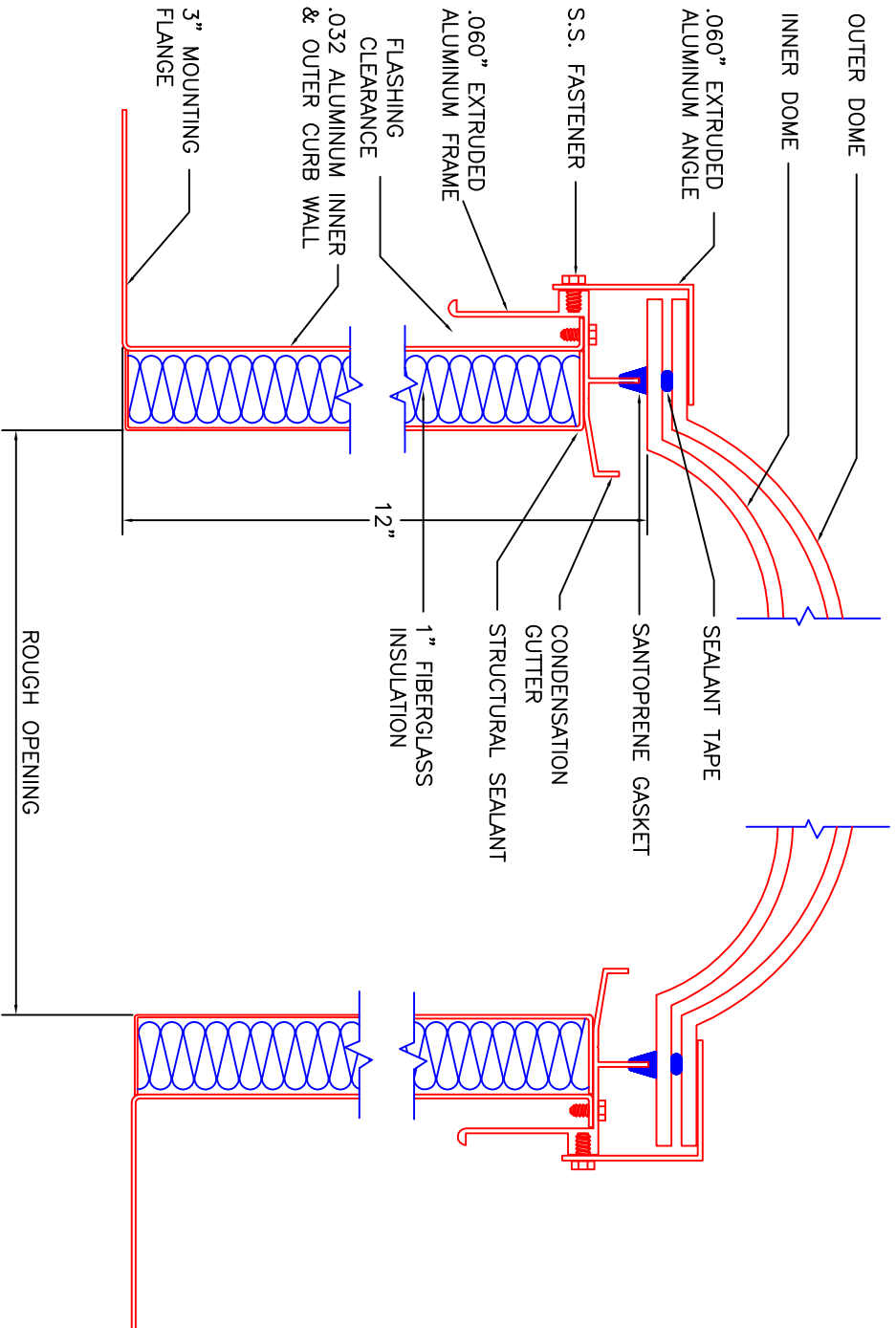
MILL	<input type="checkbox"/>
BRONZE ANODIZED	<input type="checkbox"/>
CLEAR ANODIZED	<input type="checkbox"/>
CUSTOM COLOR	<input type="checkbox"/>

4: PYRAMID PITCH (OPTIONAL)

22 DEGREE (1/2 WIDTH X .414)	<input type="checkbox"/>
30 DEGREE (1/2 WIDTH X .577)	<input type="checkbox"/>
40 DEGREE (1/2 WIDTH X .839)	<input type="checkbox"/>

FOR SELF FLASHING SKYLIGHTS PROVIDE  
ROUGH OPENING OR ID OF SKYLIGHT DIMENSION

QTY:	R.O. =	X
QTY:	R.O. =	X
QTY:	R.O. =	X
QTY:	R.O. =	X
QTY:	R.O. =	X



## 12" INSULATED SELF FLASHING



### AMERICAN SKYLITES

525 113th STREET ARLINGTON, TEXAS 76011  
Phone 800.772.7401 Fax 800.445.7282

SPECIFICATIONS	
TEST METHOD	ALLOWED
AIR INFILTRATION ASTM E283	0.03 CFM/FT
WATER PENETRATION ASTM E847/E331	NO LEAKAGE
UNIFORM LOAD ASTM E330	60.0 PSF MIN 40.0 PSF MIN